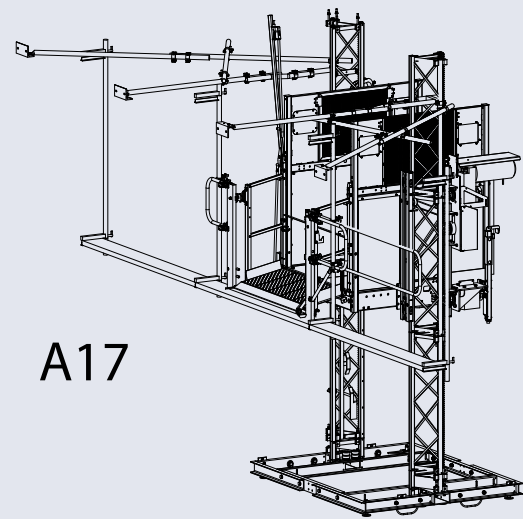
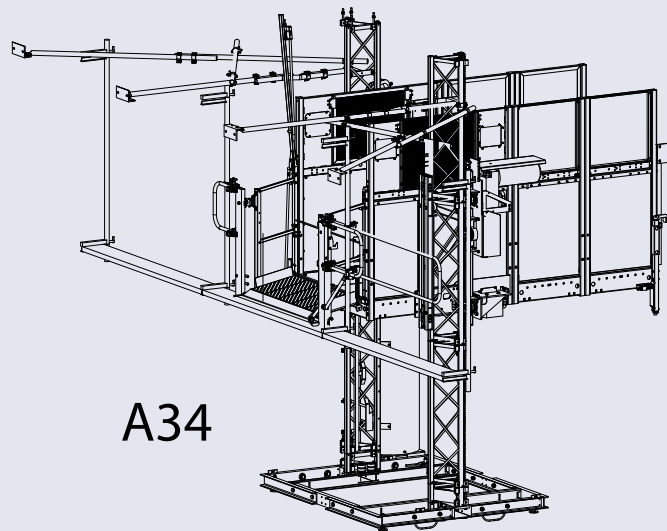


SuperLift **4400**

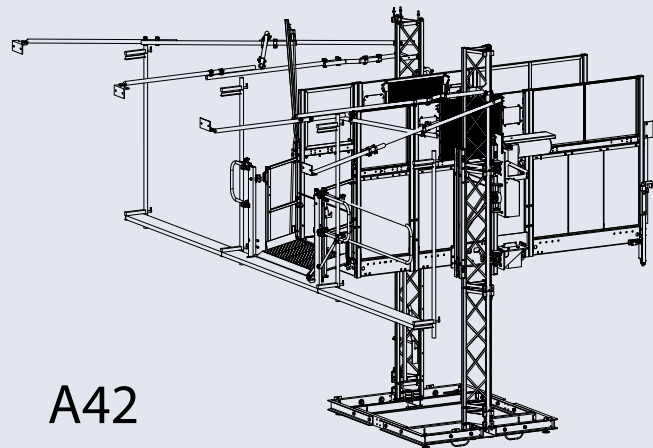
RACK AND PINION TRANSPORT PLATFORM



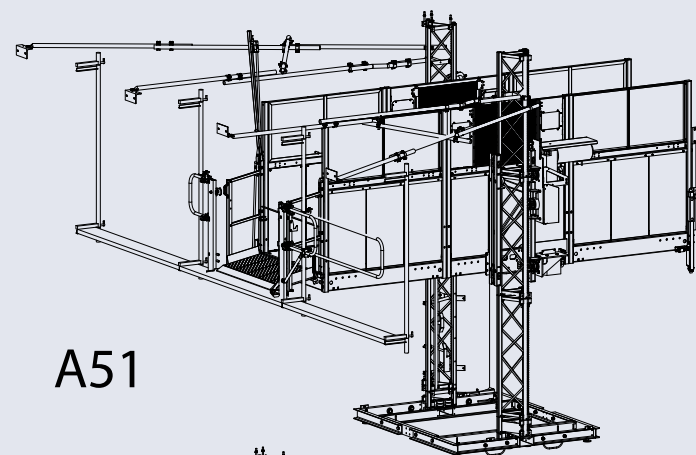
A17



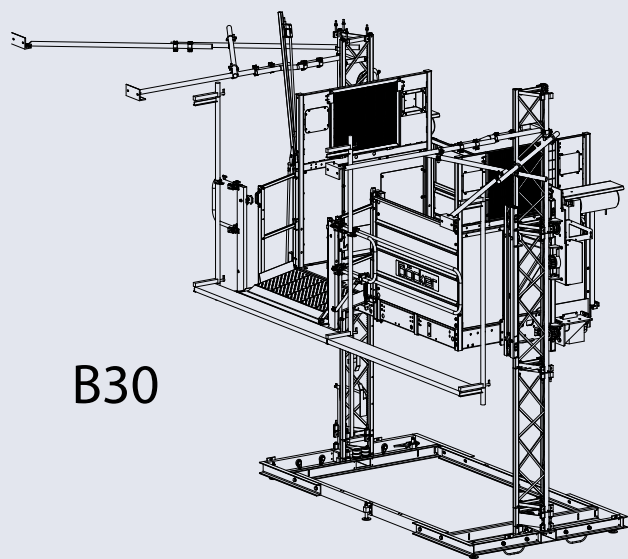
A34



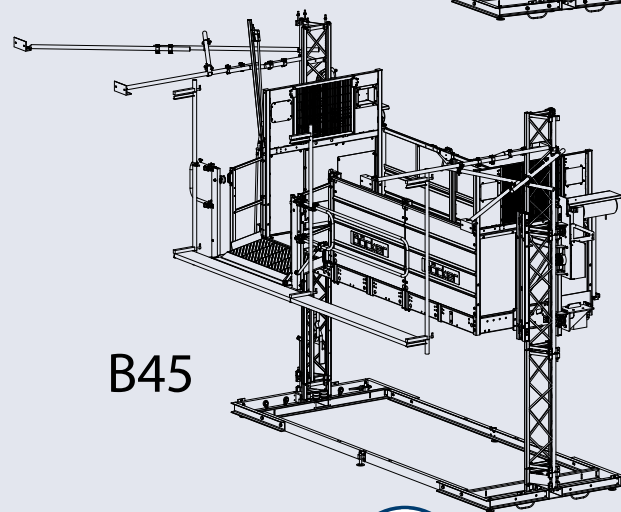
A42



A51



B30

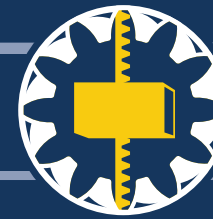


B45

CENTURY ELEVATORS
281-667-3000
www.centuryelevators.com

12130 Galveston Road, Building 5 * Webster, Texas 77598 * USA

CENTURY



ELEVATORS

281-667-3000

www.centuryelevators.com



MANUFACTURED FOR
CENTURY ELEVATORS BY



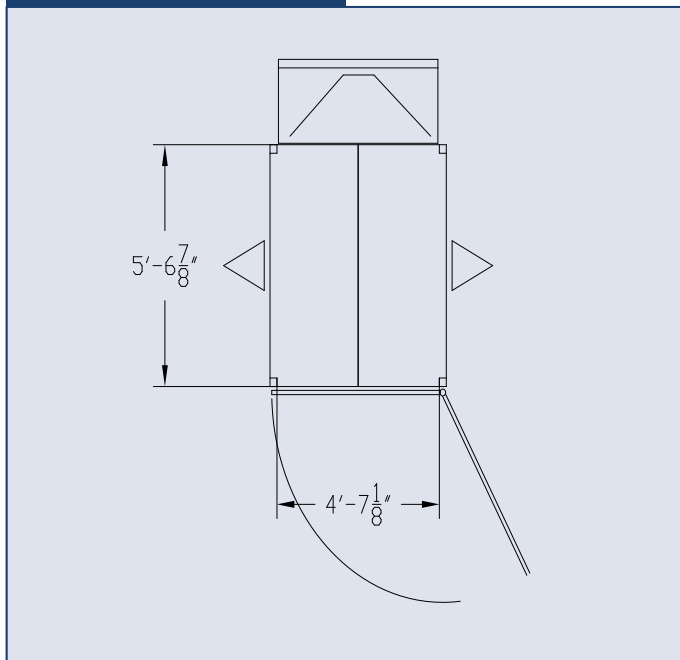
Rack and Pinion Drive System* Rated for Men and Material
Multiple configurations available* ANSI A92.10 compliant* ISO 9001:2015 Certified

SuperLift
4400

RACK AND PINION TRANSPORT PLATFORM

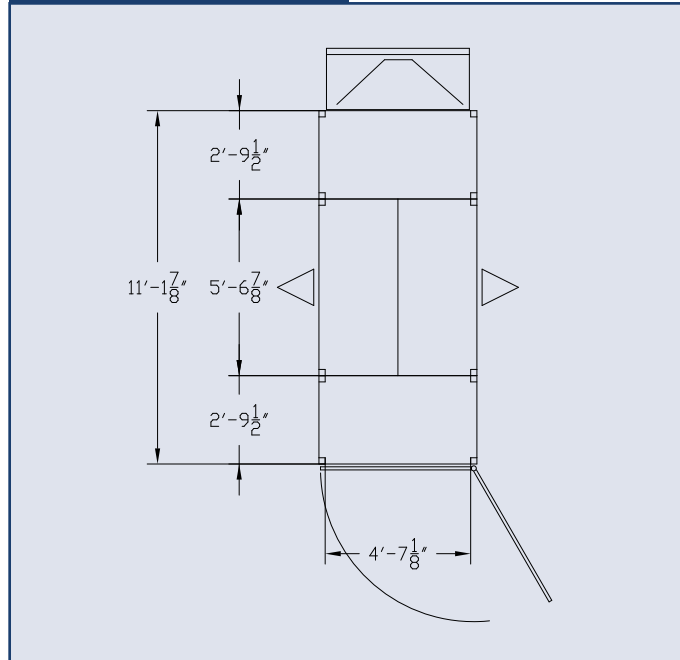


Platform Model A17



4400 lbs Capacity

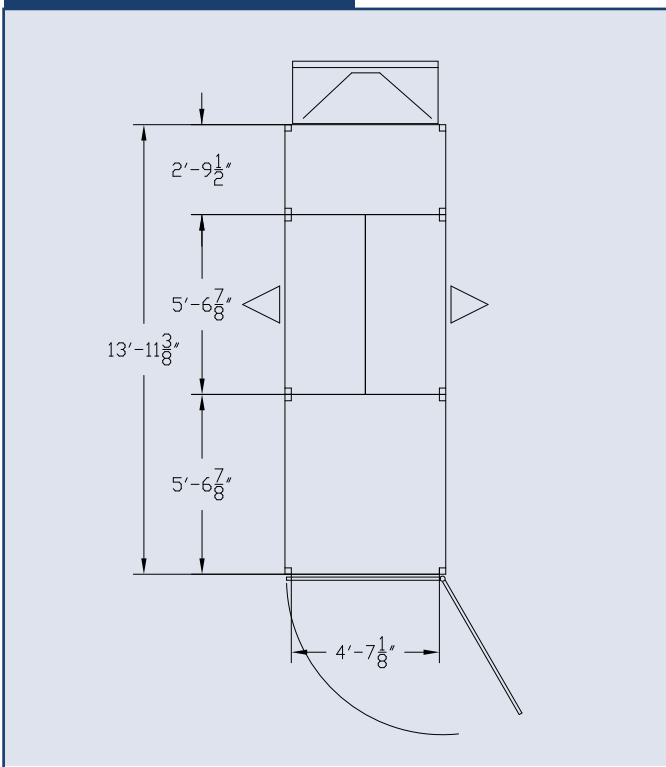
Platform Model A34



4400 lbs Capacity

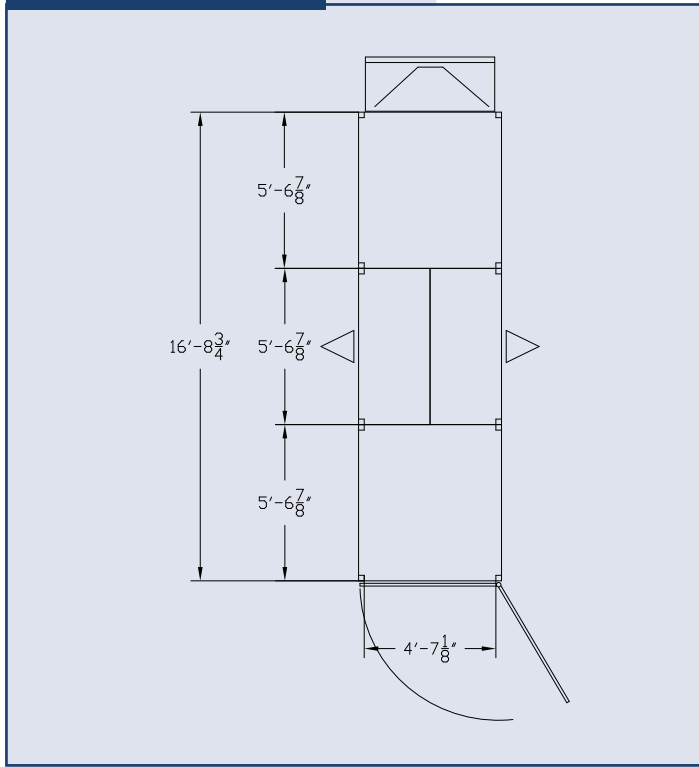
AVAILABLE CONFIGURATIONS OF THE SUPERLIFT 4400

Platform Model A42



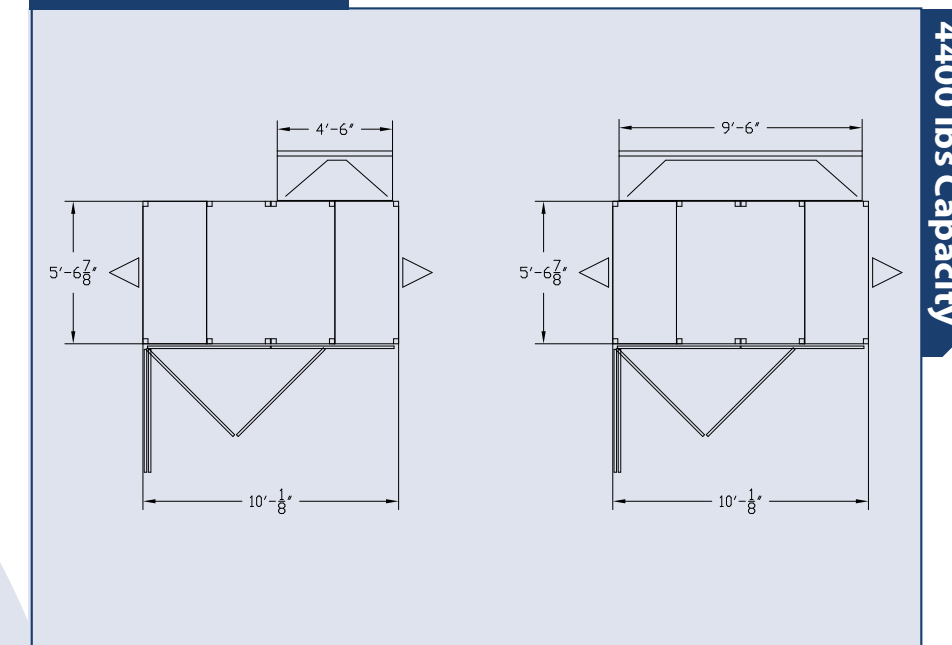
4000 lbs Capacity

Platform Model A51



3750 lbs Capacity

Platform Model B30

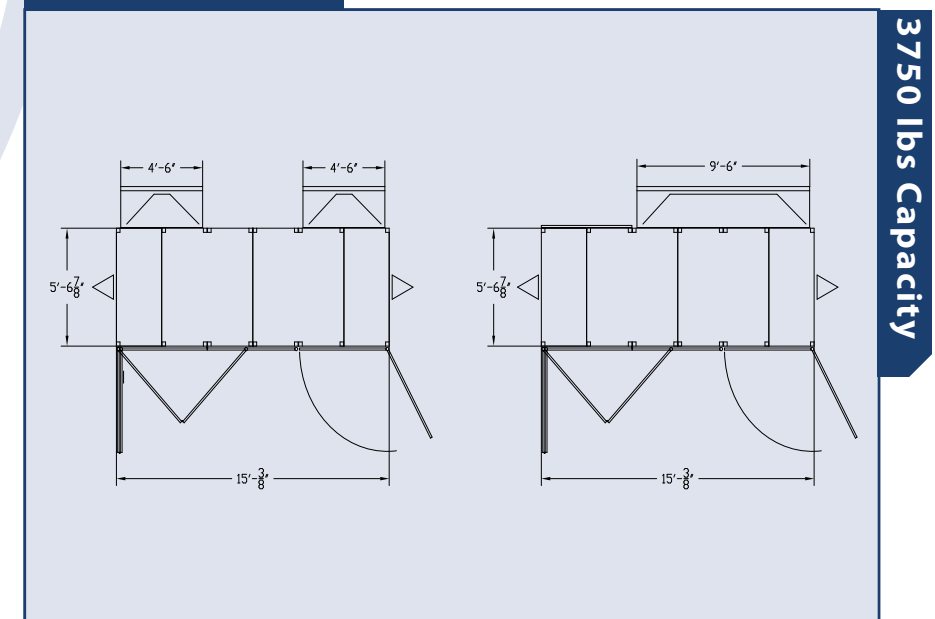


4400 lbs Capacity

FROM ANSI/SAIA A92.10

Transport Platforms are primarily used as a tool of the trade to vertically transport authorized persons, along with materials and necessary tools, to various levels on a building or structure for construction, renovations, maintenance or other types of work.

Platform Model B45



3750 lbs Capacity

MODEL TYPE CAPACITY

Load Capacity	3750 lb / 9 people 4000 lb / 10 people 4400 lb / 11 people
Lifting Speed	40 ft./min (Transport Platform) 80 ft./min (Material Only)

PLATFORM DIMENSIONS

Interior W x L	A17: 4' 7 1/8" x 5' 6 7/8"
	A34: 4' 7 1/8" x 11' 1 7/8"
	A42: 4' 7 1/8" x 13' 11 3/8"
	A51: 4' 7 1/8" x 16' 8 3/4"
	B30: 5' 6 7/8" x 10 1/8"
	B45: 5' 6 7/8" x 15' 3/8"
Unloading Ramp	Standard Ramp: 4' 6" Model B30 Ramp: 9' 6"

ELECTRICAL DATA

Power Supply	480V, 3 phase, 60Hz
No. of Motors	2 x 10 HP
Full Load Current	35 AMP

WEIGHTS

Base Unit Including Platform	A17: 3814 lb A34: 4565 lb A42: 4806 lb A51: 5048 lb B30: 4564 lb B45: 8378 lb
Load Platform Weight	Half Platform: 375 lb Full Platform: 617 lb

MAST

Maximum Mast Height	300' (100 m)
Length of Mast Section	4'11" (1.5m) with captured nuts and bolts
Weight of Mast Section	121 lb (55 kg)
Wall Ties	Adjustable Scaffolding tubes & special bracket
Wall Tie intervals	maximum 33 ft. (10m)

BRAKES

Safety Overpeed Device	Centrifugally Actuated Overspeed Brake
Safety Trigger Speed	131 fpm (40 mpm)
Emergency Lowering	Manual Brake Release
Safety Stop	10' (3M) Above Ground w/Alarm Bell

FEATRES

- **STANDARD****
- Over-speed safety device
 - Manufactured Anchor Points
 - Overload protection
 - On board diagnostic system
 - Auto lubrication system
 - Full capacity load ramps
 - Emergency lowering device
- **OPTIONAL****
- Roof
 - Gin Pole
 - Lighting
 - Landing gates
 - Installation platform
 - Base Barrier
 - Anti-Collision pressure plate